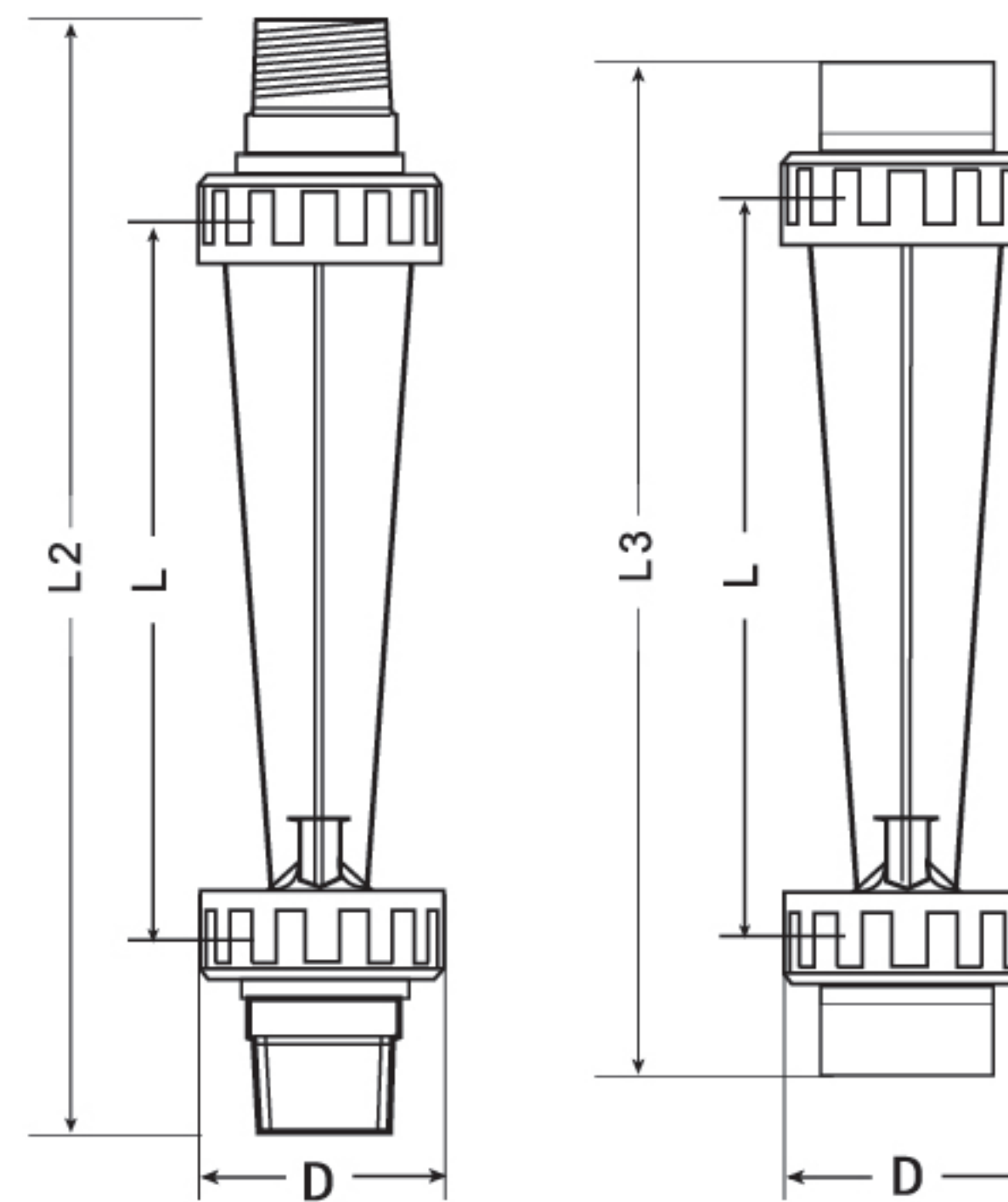


# The Series Z-5010 Plastic Rotameter

Transparent body, clear reading



The Series Z-5010 Plastic Rotameter is a variable area flowmeter. Its measuring tube is made of transparent engineering plastic. As fluid passes through the pipe, the float suspends itself under the influence of fluid dynamics and gravity. The greater the fluid flow, the higher the float rises, allowing direct reading of the flow value from its position. With high transparency, impact resistance, and excellent chemical compatibility, this plastic tube flowmeter becomes a preferred tool for laboratories, food & pharmaceutical industries, and measurement of corrosive media with small to medium flow rates. Its lightweight design, low cost, and ease of observation give it significant advantages in all applications.

## FEATURES

- The rotor floats with the fluid, no mechanical wear, low maintenance costs, and a long service life.
- Alarm switch output is available.
- Lightweight and cost-effective, it provides an economical flow measurement solution.
- Installed vertically without requiring straight pipe sections.
- The transparent pipe allows for direct observation of the fluid status and rotor position, facilitating easy reading.

## APPLICATIONS

- Pharmaceutical Industry
- Semiconductor Industry
- Food and Beverage Industry
- Urban Water Supply and Drainage
- Environmental Protection
- New Energy Industry
- Scientific research institution

## SPECIFICATIONS

<b>Service</b>	Compatible liquids
<b>Material</b>	Body: AS, PVC; Connection: PVC; Float: 304 stainless steel (Models 5014-5017), PMMA (Models 5011-5013)
<b>Accuracy</b>	±5%
<b>Temperature Rating</b>	0°C to 60°C
<b>Pressure Rating</b>	Less than 0.6MPa
<b>Connection</b>	Optional connections: thread connection, socket and spigot joint

## MODEL CHART

Example	Z-50	12	-ZG 1/2"	
<b>Series</b>	Z-5010			Plastic Rotameter
<b>Flow Range</b>		11		0.2 LPM - 3 LPM
		12		0.4 LPM - 4 LPM
		13		0.6 LPM - 6 LPM
		14		1 LPM - 10 LPM
		15		1.6 LPM - 16 LPM
		16		2.5 LPM - 15 LPM
		17		5.0 LPM - 50 LPM
<b>Connection</b>			XXXXXXXX	Please refer to the technical specification

## Specifications

Model	Liquid (LPM)	Socket Weld	Thread
Z-5011	0.2~3	ø20 L:182mm	BSPT 1/2" Female L:183mm
Z-5012	0.4~4		
Z-5013	0.6~6		
Z-5014	1~10		BSPT 3/4" Male L:211mm
Z-5015	1.6~16		
Z-5016	2.5~25		
Z-5017	5.0~50		